

1200



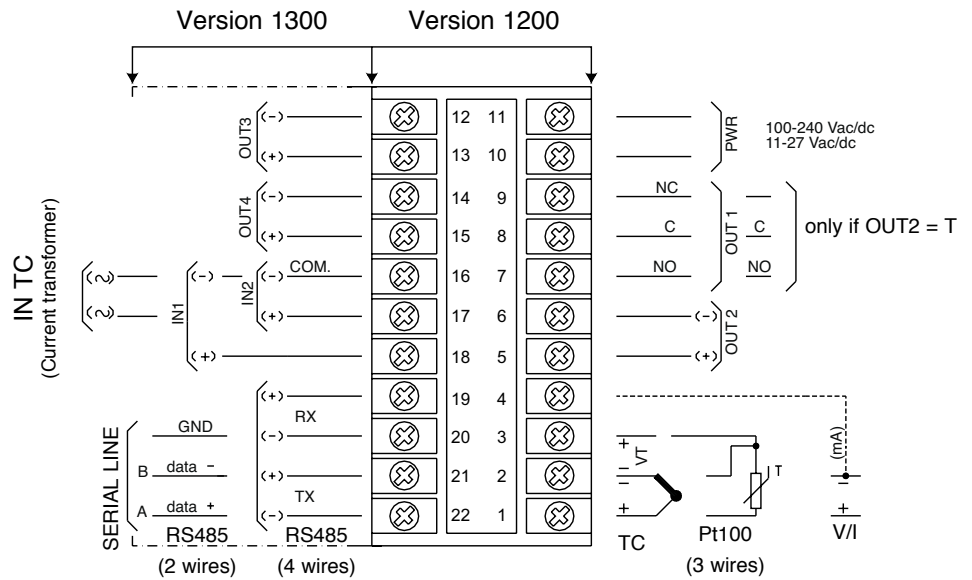
a

CONFIGURABLE CONTROLLER



Microprocessor temperature controller configurable from faceplate keys, universal input, self-tuning, auto-tuning "one shot", 4-digit double display, IP65 faceplate protection, dimensions 48x96mm, RS485/RS232C serial line Modbus or Cencal.

- Inputs: TC, RTD, PTC, NTC, mV, V, mA
- Faceplate protection: IP65



CE UL

Outputs	Special functions	Serial Communication	Power supply	Order code	SAP/METEL code	
1 relay + 1 logic	-		11..27Vac/Vdc	1200-RD00-00-0-0	F026905	A
1 relay + 1 logic	-		100..240Vac/Vdc	1200-RD00-00-0-1	F023423	A
2 relays	-		11..27Vac/Vdc	1200-RR00-00-0-0	F023430	A
2 relays	-		100..240Vac/Vdc	1200-RR00-00-0-1	F023210	A
1 relay + 1 logic	-		11..27Vac/Vdc	1200-RD00-00-0-0	F026905	A
1 relay + 1 logic	-		100..240Vac/Vdc	1200-RD00-00-0-1	F023423	A
2 relays	-		11..27Vac/Vdc	1200-RR00-00-0-0	F023430	A
2 relays	-		100..240Vac/Vdc	1200-RR00-00-0-1	F023210	A
2 relays + 1 logic	-		20..27Vac/Vdc	1200-RDR0-00-0-0	F024902	
2 relays + 1 logic	-		100..240Vac/Vdc	1200-RDR0-00-0-1	F024894	A
3 relays	-		20..27Vac/Vdc	1200-RRR0-00-0-0	F024903	
3 relays	-		100..240Vac/Vdc	1200-RRR0-00-0-1	F023421	A
3 relays + 1 logic	-		20..27Vac/Vdc	1200-RDRR-00-0-0	F024904	
3 relays + 1 logic	-		100..240Vac/Vdc	1200-RDRR-00-0-1	F024897	
4 relays	-		20..27Vac/Vdc	1200-RRRR-00-0-0	F026419	
4 relays	-		100..240Vac/Vdc	1200-RRRR-00-0-1	F023422	A
1 relay + 1 logic	Analog output		20..27Vac/Vdc	1200-RDW0-00-0-0	F033976	
1 relay + 1 logic	Analog output		100..240Vac/Vdc	1200-RDW0-00-0-1	F026723	
2 relays + 1 logic	Analog output		20..27Vac/Vdc	1200-RDWR-00-0-0	F042269	
2 relays + 1 logic	Analog output		100..240Vac/Vdc	1200-RDWR-00-0-1	F027435	

## CONTROLLERS AND PROGRAMMERS

Outputs	Special functions	Serial Communication	Power supply	Order code	SAP/METEL code	
2 relays	Analog output		20..27Vac/Vdc	1200-RRW0-00-0-0	F028520	
2 relays	Analog output		100..240Vac/Vdc	1200-RRW0-00-0-1	F023426	A
3 relays	Analog output		20..27Vac/Vdc	1200-RRWR-00-0-0	F024394	
3 relays	Analog output		100..240Vac/Vdc	1200-RRWR-00-0-1	F027053	
1 relay + 1 logic	TA input		20..27Vac/Vdc	1200-RD00-02-0-0	F041232	
1 relay + 1 logic	TA input		100..240Vac/Vdc	1200-RD00-02-0-1	F027054	
2 relays + 1 logic	TA input		20..27Vac/Vdc	1200-RDR0-02-0-0	F043044	
2 relays + 1 logic	TA input		100..240Vac/Vdc	1200-RDR0-02-0-1	F024895	
2 relays + 1 logic	-	RS485	20..27Vac/Vdc	1200-RDR0-00-2-0	F028285	
2 relays + 1 logic	-	RS485	100..240Vac/Vdc	1200-RDR0-00-2-1	F026418	
2 relays	Analog output	RS485	20..27Vac/Vdc	1200-RRW0-00-2-0	F046971	
2 relays	Analog output	RS485	100..240Vac/Vdc	1200-RRW0-00-2-1	F029297	
3 relays + 1 logic	TA input	RS485	20..27Vac/Vdc	1200-RDRR-02-2-0	F051729	
3 relays + 1 logic	TA input	RS485	100..240Vac/Vdc	1200-RDRR-02-2-1	F024900	A